



Sink - Symetrics

Lavatory spout, deck-mounted without drain - polished chrome

Article number: 13 721 980-00 0010



- 6-1/2" Projection
- Rigid spout
- Round aerated stream
- Total height 9"
- Height to aerator/spout outlet 8-1/8"
- 1-3/8" hole diameter
- Flange 2-3/8" x 2-3/8"
- 1/2" connection
- Water flow rate limited to max. 1.2 gpm
- lead-free

Codes & Standards

- NSF/ANSI 372
- California Energy Commission (CEC)
- ASME A112.18.1/CSA B125.1
- NSF/ANSI/CAN 61

- inlet: 2x pressure hose with 1/2" compression fitting



polished chrome



Discontinued items available to order until 31.12.9999

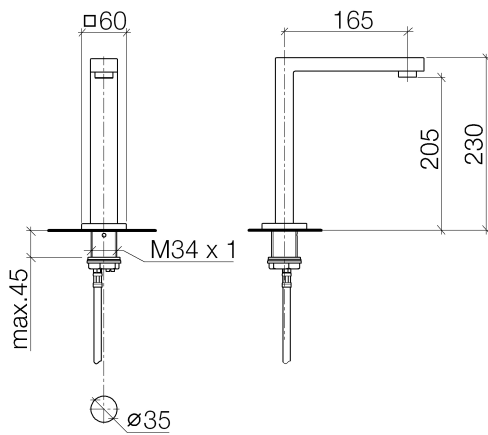


Sink - Symetrics

Lavatory spout, deck-mounted without drain - polished chrome

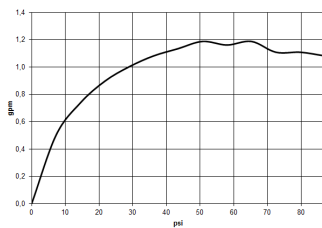
Article number: 13 721 980-00 0010

Dimensional drawing



All dimensions in mm / inch = mm x 0,0394

Flow rate chart





Sink - Symetrics

Lavatory spout, deck-mounted without drain - polished chrome

Article number: 13 721 980-00 0010

Other surface finishes



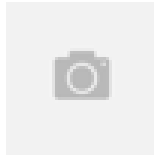
platinum matte

13 721 980-06 0010



platinum

13 721 980-08 0010

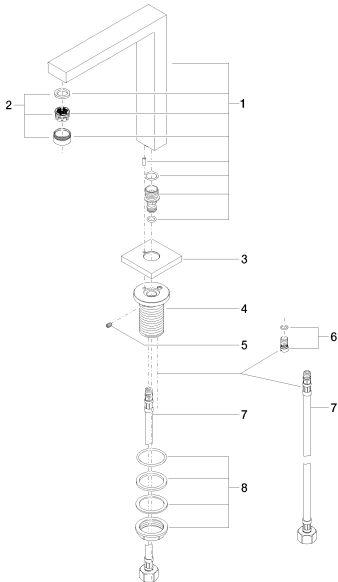


Brushed Durabronze

13 721 980-28 0010

More custom finish options are available via special production (xTra Service). Please see our finish matrix for availability and pricing or contact a Dornbracht representative.

Spare parts list



Number	Item Number	Designation	Number of units
1	90 11 06 192 07-00	spout	1
2	90 23 01 029 05-00	aerator	1
3	09 27 68 002-00	rosette	1
4	09 30 01 102 10 90	sleeve	1
5	09 31 11 036 90	pin	1
6	04 31 20 046 10 92	set	1
7	04 30 04 019 00 90	hose	2
8	04 23 10 044 00 90	fixing set	1